


<h2>PSXXX-90 OEM-Modules</h2>	<h2>2D Laser Scanner Modules XXX = 100, 150, 250, 300</h2>
	<p>Module Features</p> <ul style="list-style-type: none"> • OEM Module kits available for all PSXXX-90 • Technical data of the PSXXX-90 sensors stay valid • All OEM Modules are compensated • Easy installation in customer enclosures <p>Application</p> <ul style="list-style-type: none"> • Applications in customer specific systems for surveying and automation • Customer specific enclosures for explosion-proof applications • Customer specific enclosures for high temperature surface applications
<p>Customer advantage</p> <ul style="list-style-type: none"> • Powerful integration kits for own systems for surveying and automation • New technology for special applications in own products • Easy access to sensor solutions for the own market • Full technology and development support • Small spot size; low power consumption; wide temperature range 	

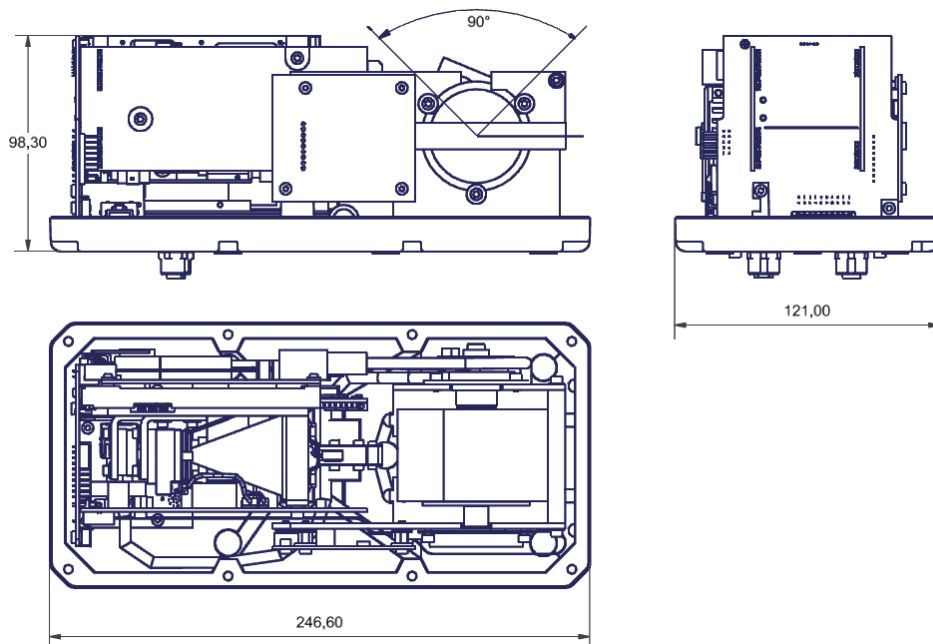
Main Applications of PSXXX-90 Modules

Applications	PS300-90	PS250-90 PS250-90 HT	PS150-90	PS100-90 PS100-90 HT
OEM Applications				
Surveying systems	X	X	X	X
Automation systems	X	X	X	X
Steel production	X	X	X	X
EX-protection sensors	X	X	X	X
Mobile Systems				
RPV	X	X	X	X
Air to Ground Scanner	X	X		
Mobile Mapping Systems	X	X		
Industry solutions for				
Mining	X	X		
Traffic		X	X	
Airport	X	X	X	X
Agriculture			X	X
Steel Industry		X		X
Container Terminal		X	X	

Technical Data of PSXXX-90 OEM Modules

Modules	PS300-90 Module	PS250-90 Module	PS150-90 Module	PS100-90 Module
Order No.	2000	2100	2200	2300
Based on 2D Scanner	PS300-90	PS250-90	PS150-90	PS100-90
Open mechanical design			without Cover	
Mechanical Integration				
Carrier Plate			Casted back plate	
Mounting in System			with screw holes in back plate	
Dimensions & Weight				
Dimensions Height, Width, Length (mm)			220, 121, 109	
Weight (kg)			1,3	
Options				
Focusing Distance			Choice 3 to 45 m	
Enlarged Beam Divergence	up to 0,2° x 0,2°	0,09° x 0,09°	0,048° x 0,048°	no
Increased Scan Rate			yes	
Last Echo Evaluation			yes	
Accessories				
Front screen			PSXXX-90 glass, AR-Layer on both sides	
230 VAC - 24 VDC POE Module			yes	
Data Cable, 5m, 90°			yes	
Serial Interface Cable, 5 m, 90°			yes	
Beam Finder			yes	

Abmessungen



The back plate may be a customer design. The shown plate is for illustrative purposes only.

Technische Änderungen vorbehalten. Alle Daten ohne Toleranzangaben sind typische Daten.

Triple-IN GmbH Poppenbütteler Bogen 64 - D-22399 Hamburg
 Telefon +49 (0)40 500 91998 – Telefax.: +49 (0)40 52734933
 E-Mail: info@triple-in.de - Internet: www.triple-in.de